



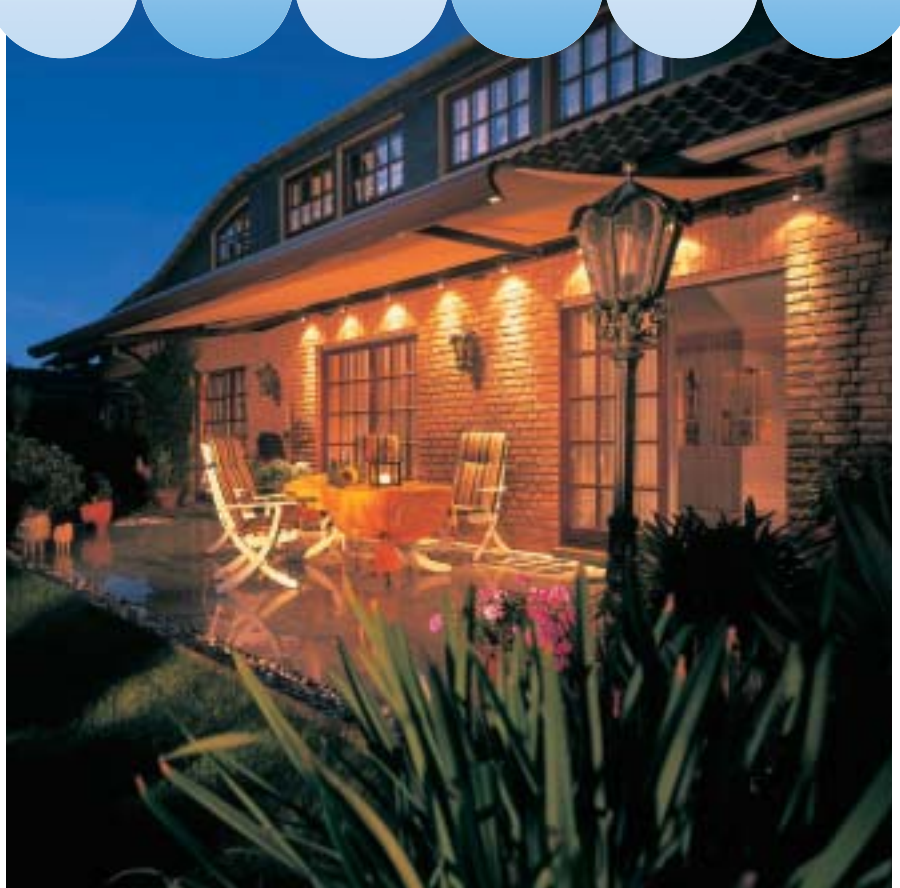
Put your house in a good light



Fascination all the way: the prize possessions from the house of weinor

*The **Opal Design** brings the whole family into their own, because everything is just right! Innovative style with smooth and oval shapes matched with high quality awning cassette technology.*

*The **Opal Design Lux** provides elegant protection from the sun by day and stylish lighting for a cosy atmosphere by night – in the high weinor quality, of course.*



▲ The Opal Design can be fitted with an optional valance.

The flat cassette

At only 16 cm high the cassette is particularly flat. Nevertheless it houses all the awning's mechanics and the fabric, protecting both from the weather. That increases your awning's life.





The **Opal Design** provides maximum weather protection. The fabric and the arms disappear completely into the cassette. The front rail closes tight against it and the crescent shaped end cap keeps it watertight at the side. The mechanics and the fabric are as secure in the cassette as in a safe. That guarantees you years of pleasure from your awning.



Innovative design

The slim oval shape and the smooth surfaces mean that the **Opal Design** is a perfect match for modern architecture.

TÜV tested safety

- Up to 650 cm wide and 400 cm projection



- TÜV tested safety for rain resistance



At a minimum pitch of 14° the Opal 2001 is rain resistant, as defined in DIN EN 1933:

$$56 \cdot \frac{l}{m^2 \cdot h},$$

that means that the Opal 2001 can withstand more than 2" of rain an hour.

We confirm that the TÜV seal means that under the above conditions it does not tear, break or suffer any other damage. However it is not possible to rule out creases and rippling.



Light and warmth total comfort

A pleasant evening

The **Opal Design Lux** turns night into day. When the sun goes down, just turn on the lights. That makes the awning an excellent patio lighting system – even when it has been retracted. You can even connect a movement sensor or danger sensor* to the **Opal Design Lux**. Then the lights turn on automatically whenever the sensor detects a source of heat.

Remote controlled dimmer

The remote controlled dimmer means that you can set the level of light from the comfort of your chair, just as you want it.



* Movement and danger sensors are not supplied by weinor.



The lamps can be angled downwards, towards the patio or towards the window. The bulbs can be replaced easily.



The Opal Design Lux

This high-grade transformer complies with IP 23 for protection from spray and so it is suitable for outdoor use. The benefits:

- It is located securely and inconspicuously in the back of the cassette and so it can be replaced if necessary.

- The power is provided safely through the cable ducts inside the back wall of the awning.
- If a bulb blows the transformer controls the power to the other bulbs so as not to reduce their service life.

The Tempura heating system

The weinor **Tempura heating system** uses infra red heat radiators with electromagnetic waves. This radiation, or the waves, is converted to warmth by the human body. Unlike conventional heaters the heat is not carried "through" the air. Such factors as draughts or rising air do not lead to loss of heat. The infra red radiation goes deep into the body and immediately creates a feeling of warmth.

Thanks to modern short wave technology the **Tempura heating system's** reaction time is very short. The full heating power is there only one or two seconds after being turned on. The warmth is radiated evenly over a wide angle. The intensity of the radiation (90 – 95 %) converts nearly all the electric power into heat – and that without taking up very much space. Short wave radiators have a service life of up to 5000 hours.

Tempura can be fixed to the wall with a universal bracket, and so it can be fitted under other weinor awnings.




Technical data

- 230 V; 50 Hz; 1500 W; IP 24
- Width 46 cm; height 13 cm; depth 11 cm; weight 2.6 Kg



Tempura Heating System for the Opal family

- Quick and easy fixing (without the need for such preparation as drilling for fixing screws)
- Location anywhere underneath the width of the awning
- Infinitely adjustable turning through 40°
- Simple adjustment of its position – can be moved freely
- Original Philips  **HeLeN** "Gold Tubes"
- Innovative Philips **CLIC-FIT** system for easy tube replacement
- The housing is narrow enough to fit between two lights so as not to cover them

The optimum Opal Design/Lux Awning



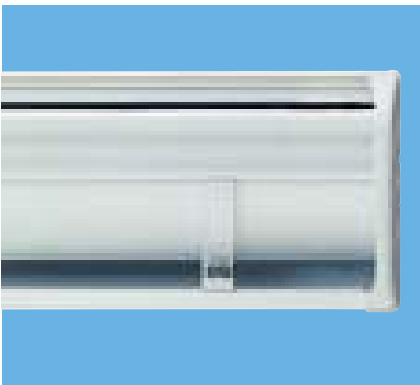
The arm with chain tensioner ▶
It makes the awning stable.
The chain in the centre joint is guaranteed for 10 years.



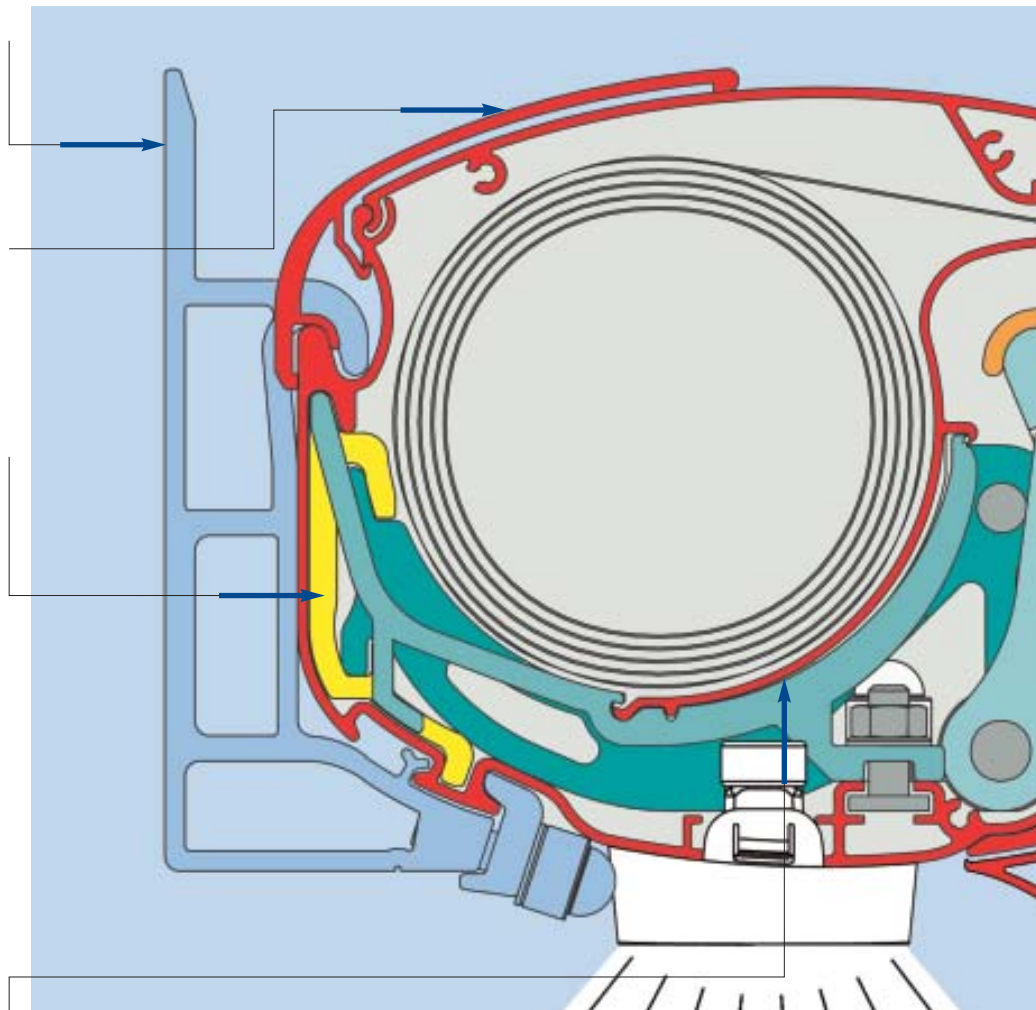
▲ **The wall bracket**
Like all weinor small parts it is powder coated in facade quality.

The hood bracket
If the awning is at least 450 cm wide it is fitted as standard as additional security for the cover.

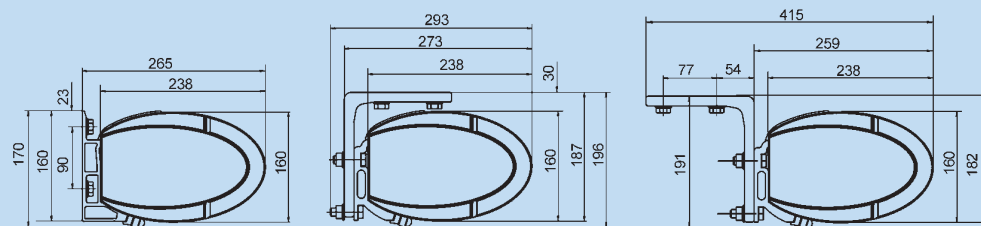
The support rail
It provides strength where the force of the jointed arm is greatest. It makes fitting easier.



▲ **The fabric support rail**
It helps keep the fabric taut and ensures smooth rolling.
The fabric is also protected from any residual water in the base of the cassette.

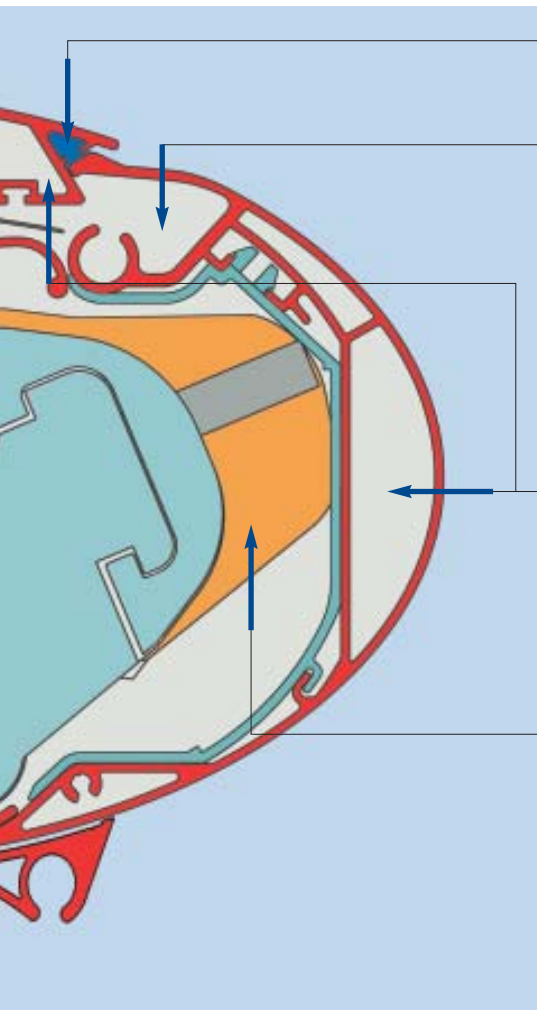


Methods of fixing



The arm geometry

It is a little masterpiece of technology. It prevents, for example, the fabric lying on the jointed arms.



The sealing lip

It ensures the inside remains dry and the outside cover closes quietly.

The rain channel

It collects the residual water that may collect if the awning is retracted when wet.

The hood stand

The empty areas of the front rail and the casing cover make it rigid and ensure the cover sits perfectly.

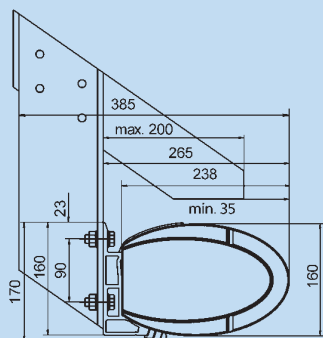
The rubber guide

The front rail is retracted precisely thanks to the new rubber guide on the tilting section.



▲ Drop forged arm parts

Drop forged Arm Parts are durable and work smoothly. It is for good reason that aircraft undercarriages are drop forged. Try the hammer test: cast metal shatters, weinor arms don't.



◀ Materials

The screws, nuts, bolts and washers are made of high grade stainless steel.

47 frame colours at no extra cost – plus 8 trendy conservatory colours

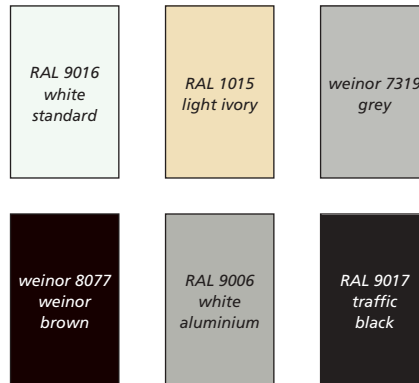
At weinor we are setting a new standard: you can choose the colour of your weinor product from between 47 frame colours and 8 trendy conservatory colours (trendy conservatory colours available for a small additional charge), to match your windows, facade or garden furniture.



Choice of material

The sophisticated weinor fabrics collection gives you a choice of high quality fabrics of exclusive design.

The most popular awning frame colours are:



The aluminium components of the awning sections and all small parts such as wall brackets and arms come powder coated in facade quality as standard. This applies to the crescent shaped end caps, the head plate cover, the end caps of the rails and your awning lights. Contrasting head plate and rail end caps are available in RAL 9016 white standard, RAL 1003 signal yellow, RAL 5017 traffic blue, RAL 6005 moss green, weinor RAL 7319 grey standard.

Description	Patent no
Awning with infrared radiator and/or loudspeaker	000001403442
Awning	000001310609
Awning	000000874104
Awning	000000745742
Florentine blind with articulated arms	000000665346
Tipping hinge for awnings	000000620334
Coupling arrangement for the rollers of awnings and similar	000000572820
Shading device	000000959195

Also available

Would you prefer your awning to be in a different colour from the standard ones? You can choose any one of about 150 more RAL colours.

Motor drive

The standard motor really makes sense: it protects the fabric by opening and retracting its smoothly. The WeiTronic remote controls provide even more comfort, allowing you to adjust the amount of shade or light from the hand held remote control unit.



Sun and wind monitor

The sun and wind monitor reacts automatically to the weather. When the weather conditions dictate, it can roll the awning in or out. Available as an option extra.



Creases can form in the fabric and when folding the awning cloth. That can lead to the areas of the fold appearing darker when seen against the light, particularly with light colours. Folds in the fabric in the areas of the seam, border and panels can be caused by multiple layers of fabric and different diameters of rolled up fabric.

The stresses in the fabric caused by this can lead to rippling (e.g. waffle or fishbone shapes). This is normal to differing degrees with nearly all awning fabrics. Creases and folds in the fabric do not reduce the awning's value or its suitability for its purpose. Awnings and conservatory blinds are for protection from the sun and should be rolled up in rain and strong winds.



Wet fabric creases more easily and as far as possible should only be retracted after drying out (please take care in strong winds and avoid the formation of puddles). Depending on the frame colour ordered, we supply all small parts, crank handles and gears for units with a crank mechanism in black (similar to RAL 9005), white (similar to RAL 9016) or grey (similar to weinor 7319).

www.weinor.co.uk

We reserve the right to make technical alterations. For technical reasons the colours may appear slightly different in print.

Your dealer will be happy to advise you:

weinor
THE AWNING
... more than
sun protection